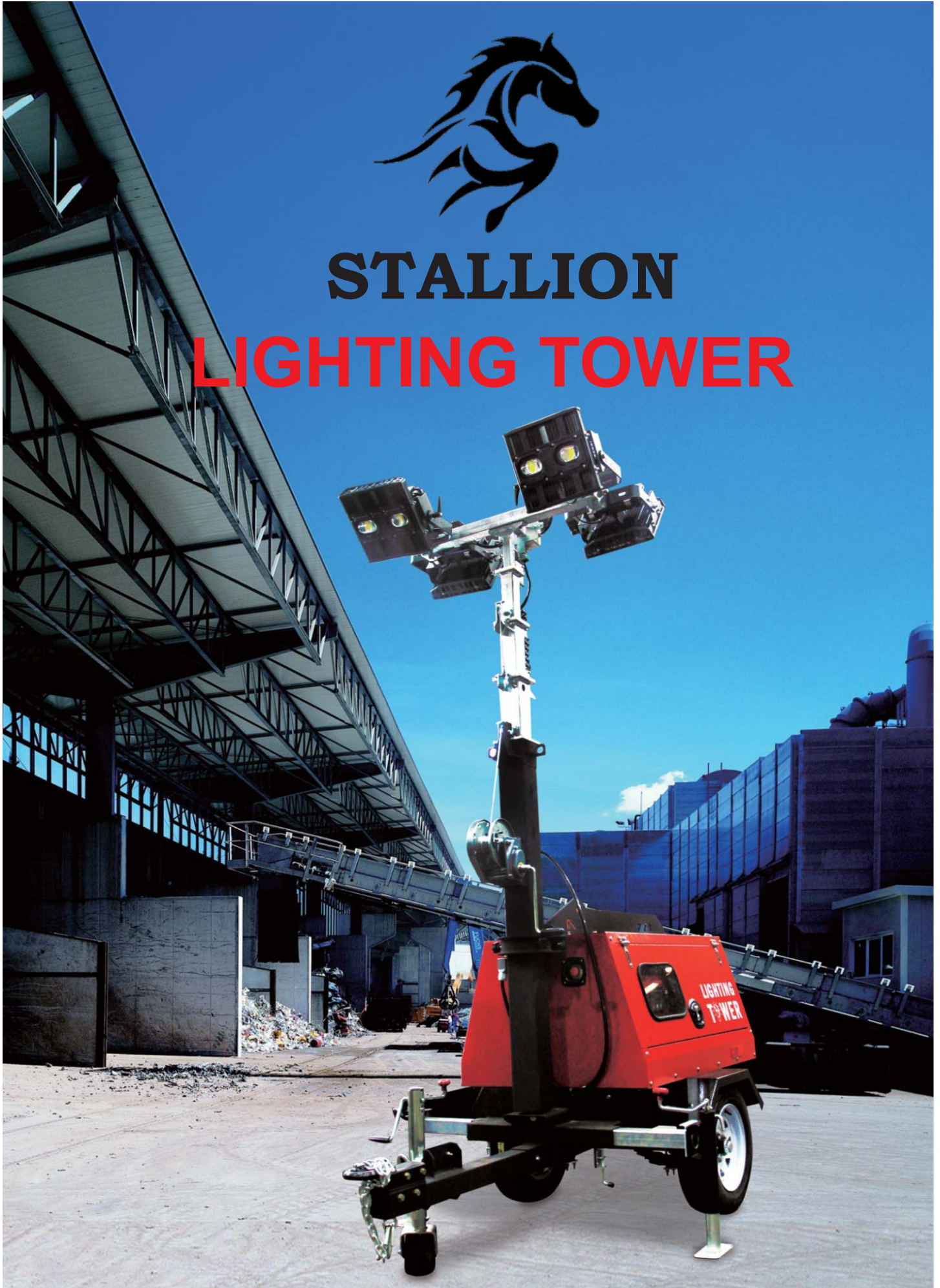








STALLION LIGHTING TOWER



FUELTANK CAPACITY <hr/> 120L 	RUNTIME <hr/>  170 HOURS	OPERATION <hr/>   IN EXTREME ENVIRONMENT
---	--	---

STANDARD FEATURE <hr/> Manual vertical mast 	LAMP DURABILITY / LIFE EXPECTANCY <hr/> 50,000 Hrs 	FUEL CONSUMPTION <hr/>  0.8L/h	LIGHT COVERAGE <hr/>  5000m² <small>Illumination Coverage</small>
--	---	--	---

STL4W-L LED Lamps

Lighting Tower specification

Illumination Coverage (m ²)	5000 m ²
Lamp Type	LED
Mast	Vertical Manual type
Special Feature	Weather Proof Enclosure

Specification

Rated Frequency	50 Hz / 60 Hz
Rated Voltage	240 VAC
Rated Power (PRP)	2.5 kW / 2.7 kW
Operation Temp. (Min./Max.)	-25/50 °C
Noise Level @7m	64 dB(A)

Engine

Model	Kubota Z482
RPM	1500rpm / 1800 rpm
Rated output power (PRP)	3 kW
Cooling Type	Water
No. of Cylinder	2

Alternator

Model	MeccAlte LT3 / 75
Rated Output Power	3.5 kVA / 4.5 kVA
Insulation / Protection Class	H/21 IP

Fuel Consumption

Fuel Tank Capacity	120L
Operational	170 hrs / 160 hrs

Socket Output

Power	1 kW
-------	------

Lighting

Type	LED
Power	4X350W

Mast





Type	Vertical Manual
Rotation Angle	360°
Max. Height	7.5 m

Weight and Dimension

Size (L/W/H)	1650*1100*2530 mm
Weight	720 kg



FUELTANK CAPACITY <hr/> 120L 	RUNTIME <hr/>  90 HOURS	OPERATION <hr/>   IN EXTREME ENVIRONMENT
---	---	---

STANDARD FEATURE <hr/> Manual vertical mast 	LAMP DURABILITY / LIFE EXPECTANCY <hr/> 10,000 Hrs 	FUEL CONSUMPTION <hr/>  2.0 L/h	LIGHT COVERAGE <hr/>  4000m² <small>Illumination Coverage</small>
--	---	---	---

STL4W-M Metal Halide Lamps

Lighting Tower specification

Illumination Coverage (m ²)	4000 m ²
Lamp Type	Metal Halide
Mast	Vertical Manual type
Special Feature	Weather Proof Enclosure

Specification

Rated Frequency	50 Hz / 60 Hz
Rated Voltage	240 VAC
Rated Power (PRP)	5.4 / 6 kW
Operation Temp. (Min./Max.)	-25/50 °C
Noise Level @7m	69 dB(A)

Engine

Model	Kubota Z482
RPM	3000rpm/ 3600 rpm
Rated output power (PRP)	6.9/8.1 kW
Cooling Type	Water
No. of Cylinder	2

Alternator

Model	MeccAlte S20FS-130
Rated Output Power	8.5 kVA/ 10.5 kVA
Insulation / Protection Class	H/21 IP

Fuel Consumption

Fuel Tank Capacity	120L
Operational	90 hrs / 85 hrs

Socket Output

Power	1.4/2 kW
-------	----------

Lighting

Type	Metal Halide
Power	4X1000W

Mast

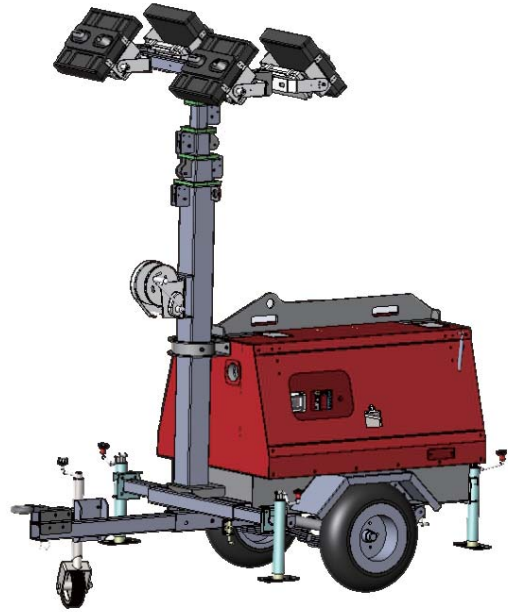
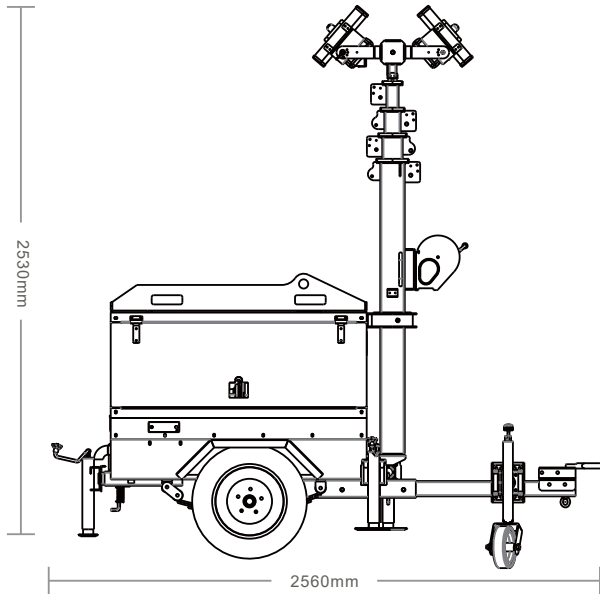
Type	Vertical Manual
Rotation Angle	360°
Max. Height	7.5 m

Weight and Dimension

Size (L/W/H)	1650*1100*2530 mm
Weight	709 kg



STL4W-L/M



STALLION Mobile Power & Lighting Features

- Industrial grade liquid cooled engine.
- Brushless alternator for long life and low maintenance.
- Heavy duty steel enclosure, powder coat finish with corrosion resistant fasteners, latches and hinges.
- 2 lockable doors to provide easy access to genset controller, radiator fill point and maintenance.
- Highway quality suspension single axle trailer with front leveling jack.
- Ball hitch coupling for convenient towing & storage.
- Circuit breakers for all receptacle easily accessible and mounted internally to genset enclosure.
- 2 Front & 1 rear extendable outriggers for stability when in operation.
- Manual self-breaking winch for easy extension of mast.
- Light mast extends to 25 feet and rotates 360° for optimum lighting coverage.
- Large internal 32 gallons fuel tank for long run times.
- Side mounted weatherproof receptacles in a recessed panel.



الشركة العربية للمعدات المحدودة
ARAB EQUIPMENT COMPANY LTD.

Dammam - Saudi Arabia.
Tel: 0138573559 Fax: 0138570463/8570166
Email: sales@aec-ltd.com

Jubail - Saudi Arabia.
Tel: 0133620155 Fax: 0133621309
Email: jubail@aec-ltd.com

Riyadh - Saudi Arabia.
Mob: 0506814540
Email: riyadh@aec-ltd.com

Jeddah - Saudi Arabia.
Mob: 0503819916
Email: jeddah@aec-ltd.com